

IMPULSE 360° SPRINKLER

INDESTRUCTIBLE ZINC | 10" WHEEL BASE

Model AJ-IS10WB-RM

**THANKS FOR YOUR PURCHASE
OF A REMANUFACTURED PRODUCT.**

To make sure you get the most out of your product, be sure to register online at

sunjoe.com

to enjoy full product support.

PASTE UPC LABEL HERE

If you have any questions or comments,
please call the Snow Joe® + Sun Joe® customer service department at:
1-866-SNOWJOE (1-866-766-9563)

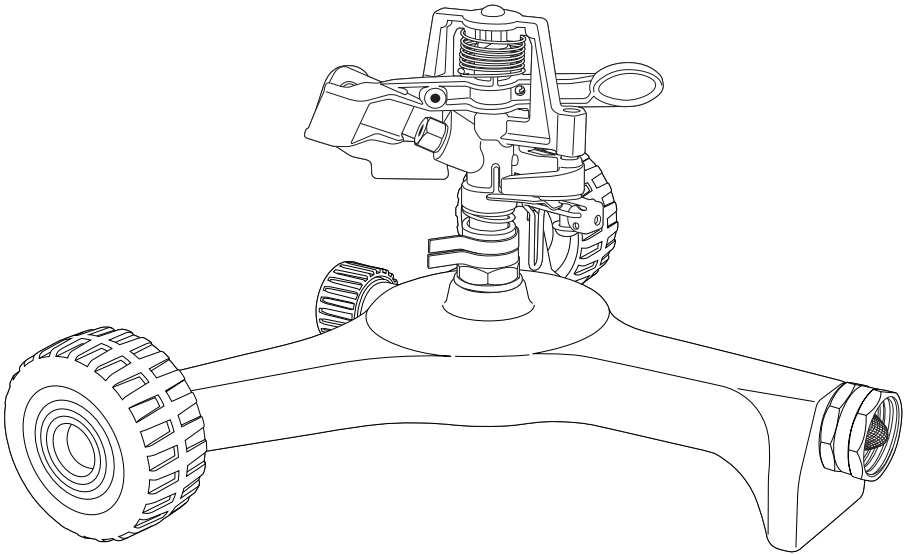


AQUAJOE®

IMPULSE 360° SPRINKLER

INDESTRUCTIBLE ZINC | 10" WHEEL BASE

Model AJ-IS10WB-RM



If you have any questions or comments,
please call the Snow Joe® + Sun Joe® customer service department at:

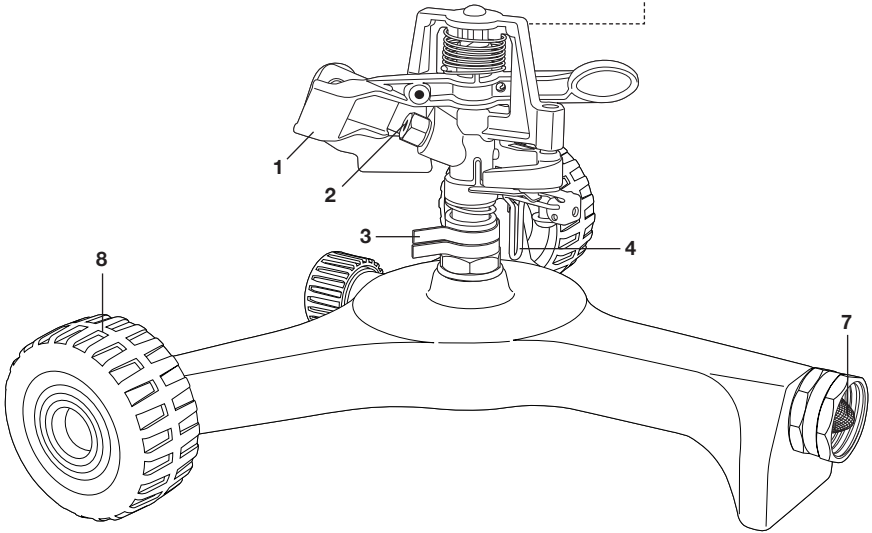
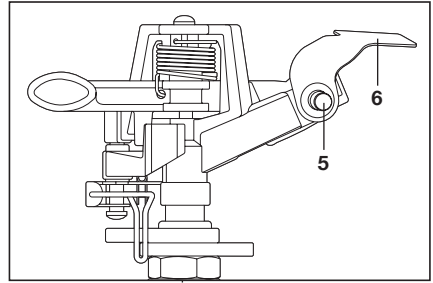
1-866-SNOWJOE (1-866-766-9563)

Know Your Impulse 360° Sprinkler

Read the owner's manual and safety rules carefully before using your impulse 360° sprinkler. Compare the illustration below to the actual unit in order to familiarize yourself with the location of the various controls and adjustments. Save this manual for future reference.

1. Anti-backsplash arm
2. Nozzle
3. Friction collars
4. Trip lever
5. Diffuser pin
6. Deflector shield
7. Hose-end connector
8. Wheel (2)

Sprinkler Head



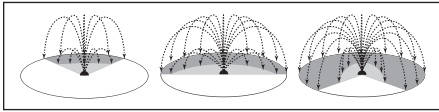
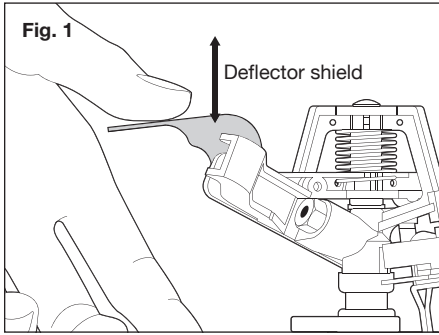
Technical Data

Coverage Max	1390 sq ft	Adjustable Coverage	Partial to full 360° circle
Watering Diameter Max	42 ft (12.8 m)	Sprinkler	Zinc
Max Pressure	120 PSI	Base	10 in. (25.4 cm) aluminum
Max Flow	5 GPM (19 L/min)	Fitting Size	Standard garden hose
Spray Distance Max	21 ft (6.4 m)	Net Weight	2.3 lbs (1 kg)
Spray Patterns	Jet to mist		

Operation

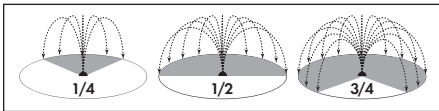
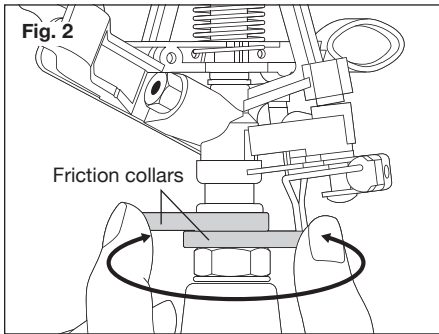
Distance Control

Use deflector shield to adjust the length of the spray. (Fig. 1).



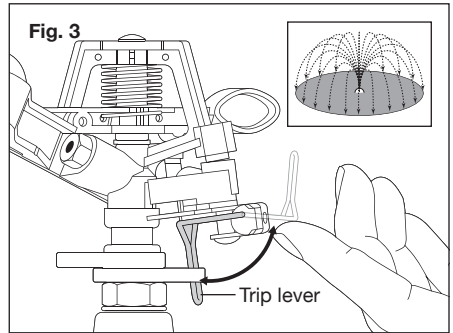
Rotation Control

Set the friction collars for desired part circle coverage (5° - 360°) (Fig. 2).



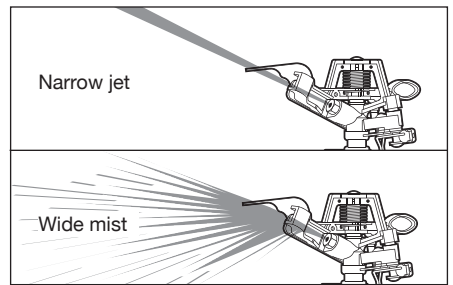
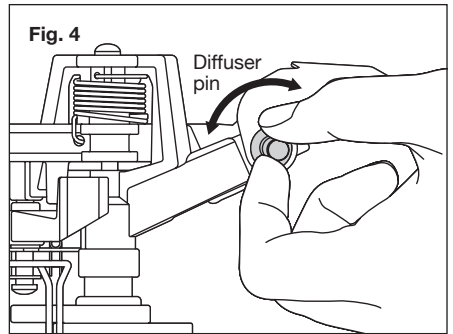
360° Coverage Control

Flip the trip lever up for full circle (0° - 360°) (Fig. 3).



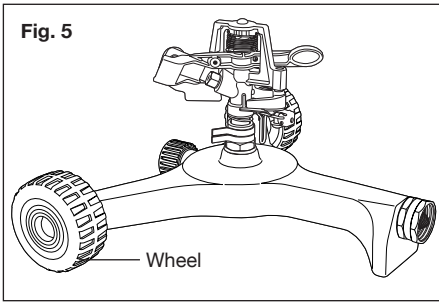
Adjusting Spray Patterns

Turn diffuser pin to adjust spray from narrow jet to wide mist (Fig. 4).



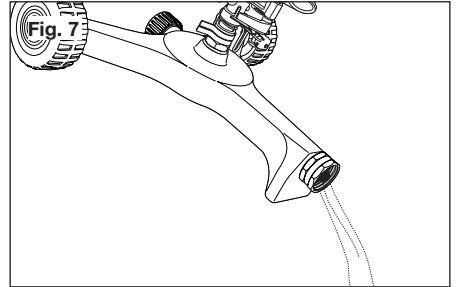
Transporting the Sprinkler

10 inch (25.4 cm) wide wheel base makes it easy to roll from one watering zone to another (Fig. 5).



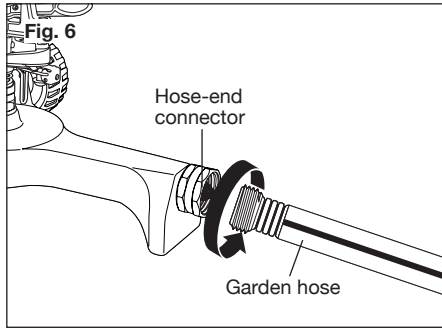
Maintenance

Drain the sprinkler after use. DO NOT allow water to freeze in the sprinkler (Fig. 7).



Connecting to the Garden Hose

Attach your garden hose to the hose-end connector (Fig. 6).



Service + Support

If your Aqua Joe® AJ-IS10WB-RM Zinc Impulse 360° Sprinkler requires service or maintenance, please call Snow Joe® + Sun Joe® customer service at 1-866-SNOWJOE (1-866-766-9563) for assistance.

Model + Serial Numbers

When contacting the company or arranging service from an authorized dealer, you will need to provide the model and serial numbers, which can be found on the decal located on the sprinkler. Copy these numbers into the space provided below.

Record the following numbers from the housing or handle of your new product:

Model #:											
A	J	-	I	S	1	0	W	B	-	R	M
Serial #:											

Watering Tips

Water only when necessary, preferably in the morning to minimize water loss through evaporation. To promote deep root growth, water deeply but as infrequently as possible. Watch water application to avoid water run-off.

NOTE: Since water expands when it freezes, completely drain water from sprinklers and hoses to avoid damage if temperature falls below 32° F (0° C).



SNOW JOE® + SUN JOE® REFURBISHED GOODS WARRANTY

GENERAL CONDITIONS:

Snow Joe® + Sun Joe® operating under Snow Joe®, LLC warrants this refurbished product to the original purchaser for 90 days against defects in material or workmanship when used for normal residential purposes. If a replacement part or product is needed, it will be sent free of charge to the original purchaser except as noted below.

The duration of this warranty applies only if the product is put to personal use around the household. It is the owner's responsibility to correctly perform all maintenance and minor adjustments explained in the owner's manual.

HOW TO OBTAIN YOUR REPLACEMENT PART OR PRODUCT:

To obtain a replacement part or product, please visit snowjoe.com/help or email us at help@snowjoe.com for instructions. Please be sure to register your unit beforehand to speed up this process. Certain products may require a serial number, typically found on the decal affixed to the housing or guard of your product. All products require a valid proof of purchase.

EXCLUSIONS:

- Wearing parts like belts, augers, chains and tines are not covered under this warranty. Wearing parts can be purchased at snowjoe.com or by calling 1-866-SNOWJOE (1-866-766-9563).
- Batteries are covered in full for 90-days from the date of purchase.

Snow Joe® + Sun Joe® may from time to time change the design of its products. Nothing contained in this warranty shall be construed as obligating Snow Joe® + Sun Joe® to incorporate such design changes into previously manufactured products, nor shall such changes be construed as an admission that previous designs were defective.

This warranty is intended to cover product defects only. Snow Joe®, LLC is not liable for indirect, incidental or consequential damages in connection with the use or misuse of the Snow Joe® + Sun Joe® products covered by this warranty. This warranty does not cover any cost or expense incurred by the purchaser in providing substitute equipment or service during reasonable periods of malfunction or non-use of this product while waiting for a replacement part or unit under this warranty. Some states do not allow exclusions of incidental or consequential damages so the above exclusions may not apply in all states. This warranty may give you specific legal rights in your state.

HOW TO REACH US:

We're here to help Monday through Friday from 9AM to 7PM EST and Saturday and Sunday 9AM to 4PM. You can reach us at 1-866-SNOWJOE (1 866-766-9563), online at snowjoe.com, via email at help@snowjoe.com or tweet us @snowjoe.

EXPORTS:

Customers who have purchased Snow Joe® + Sun Joe® products exported from the United States and Canada should contact their Snow Joe® + Sun Joe® distributor (dealer) to obtain information applicable to your country, province or state. If for any reason, you are not satisfied with the distributor's service, or if you have difficulty obtaining warranty information, contact your Snow Joe® + Sun Joe® seller. If in the event your efforts are unsatisfactory, please reach out to us directly.



A series of 20 horizontal lines for writing, spaced evenly down the page.



sunjoe.com